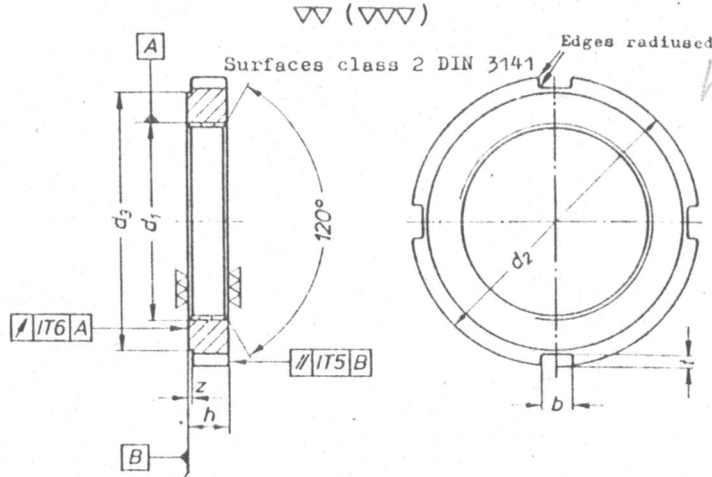


Slotted Round Nut for Hook Spanner  
ISO Metric Fine Thread

DIN  
1804

Nutmuttern; Metrisches ISO-Feingewinde  
Dimensions in mm



Designation of a slotted round nut for hook spanner with thread  $d_1 = M 120 \times 2$ , hardened type (h):  
Slotted round nut for hook spanner M 120 x 2 DIN 1804 - h

Thread	$d_2$	$d_3$	$b$	$h$	$t$	$z$	Number of slots	Weight (7.85 kg/dm <sup>3</sup> ) kg/100 pieces
$d_1$ 4H	h11			h14				
M 6 x 0,75	16	12	4	5	1,5	0,5	4	0,575
M 8 x 1	20	16	4	5	1,5	0,5	4	0,925
M 10 x 1	25	20	5	6	2	0,5	4	1,74
M 12 x 1,5	28	23	5	6	2	0,5	4	2,17
M 14 x 1,5	30	25	5	7	2	0,5	4	2,86
M 16 x 1,5	32	27	5	7	2	0,5	4	3,14
M 18 x 1,5	34	28	6	8	2,5	0,5	4	3,80
M 20 x 1,5	36	30	6	8	2,5	0,5	4	4,13
M 22 x 1,5	40	34	6	9	2,5	0,5	4	5,90
M 24 x 1,5	42	36	6	9	2,5	0,5	4	6,30
M 26 x 1,5	45	38	7	10	3	0,5	4	7,82
M 28 x 1,5								10,1
M 30 x 1,5	50	43	7	10	3	0,5	4	9,35
M 32 x 1,5	52	45	7	11	3	0,5	4	10,8
M 35 x 1,5	55	48	7	11	3	0,5	4	11,7
M 38 x 1,5	58	50	8	11	3,5	0,5	4	12,3
M 40 x 1,5								15,9
M 42 x 1,5	62	54	8	12	3,5	0,5	4	14,7
M 45 x 1,5	68	60	8	12	3,5	0,5	6	18,1
M 48 x 1,5								25,3
M 50 x 1,5	75	67	8	13	3,5	0,5	6	23,8
M 52 x 1,5								27,5
M 55 x 1,5	80	70	10	13	4	0,5	6	25,1
M 58 x 1,5								36,0
M 60 x 1,5	90	80	10	13	4	0,5	6	34,1

Thread	$d_2$	$d_3$	$b$	$h$	$t$	$z$	Number of slots	Weight (7.85 kg/dm <sup>3</sup> ) kg/100 pieces
$d_1$ 4H	h11			h14				
M 62 x 1,5								42,6
M 65 x 1,5	95	85	10	14	4	0,5	6	39,4
M 68 x 1,5								44,4
M 70 x 1,5	100	90	10	14	4	0,5	6	41,8
M 72 x 1,5								57,7
M 75 x 1,5	110	100	10	14	4	0,5	6	54,0
M 80 x 2	115	105	10	16	4	1	6	57,6
M 85 x 2	120	110	10	16	4	1	6	68,0
M 90 x 2	130	120	10	16	4	1	6	84,3
M 95 x 2	135	120	12	16	5	1	6	86,0
M 100 x 2	145	130	12	16	5	1	6	104
M 105 x 2								123
M 110 x 2	155	140	12	16	5	1	6	113
M 115 x 2								150
M 120 x 2	165	150	12	18	5	1	6	137
M 125 x 2								178
M 130 x 3	180	165	12	18	5	1	8	167
M 140 x 3	195	180	12	18	5	1	8	200
M 150 x 3	205	190	12	18	5	1	8	212
M 160 x 3	220	205	12	20	5	1	8	278
M 170 x 3	230	210	16	20	7	1	8	286
M 180 x 3	245	225	16	20	7	1	8	330
M 190 x 3	260	240	16	20	7	1	8	377
M 200 x 3	270	250	16	22	7	1	8	436

Material (strength properties): at least 5 according to DIN 267 Sheet 4  
 Type: w unhardened and unground  
 h hardened to HRC 60 ± 2 with the exception of the thread, faces ground  
 For hook wrenches, see DIN 1810

Continued on page 2

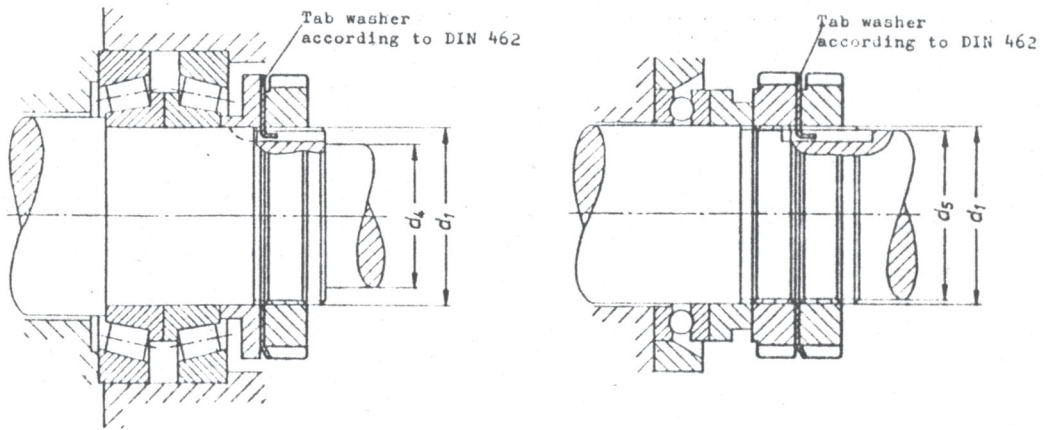
No guarantee can be given in respect of this translation in all cases the latest German-language version of this standard shall be taken as authoritative

Nachdruck, auch auszugsweise, nur mit Genehmigung des DIN-Deutsches Institut für Normung e. V., Berlin 30, gestattet.

Translation of the German standard by Henry G. Freeman, Düsseldorf

Example of application:

The stepped face of the slotted round nut for hook spanner shall always be used as the bearing face.



The maximum diameter  $d_4$  for shafts with open retaining slot or  $d_5$  for shafts without retaining slot or with closed retaining slot shall be taken from the Table below.

Thread $d_1$	$d_4$ max.	$d_5$ max.
M 6 × 0,75	—	$d_1 - 1$
M 8 × 1 and M 10 × 1	—	$d_1 - 2$
M 12 × 1,5 to M 70 × 1,5	$d_1 - 6$	
M 72 × 1,5 and M 75 × 1,5	$d_1 - 7$	$d_1 - 3$
M 80 × 2 to M 100 × 2	$d_1 - 7$	
M 105 × 2 to M 125 × 2	—	$d_1 - 4$
M 130 × 3 to M 200 × 3	—	